

ADD-A-BATHROOM

Unit 1, 18 Francis Rd. Wingfield. South Australia. 5013

Ph: 1300 559 121

info@addabathroom.com.au

www.addabathroom.com.au

Installation guide for Add-A-Bathroom single piece fully moulded showers.

Please read the entire guide prior to commencement of assembly or installation.

Note that this guide is provided for general information purposes only and should not be relied upon without professional advice about your personal situation and installation requirements. As this guide does not take personal circumstances or local regulations into account and as any installation is beyond the control of Add-A-Bathroom, no responsibility is accepted nor warranty implied by Add-A-Bathroom (or its affiliated entities) by the publishing or use of this guide.

Add-A-Bathroom fully moulded showers are manufactured in our modern production facilities and are supplied ready for installation.

If you do not have sufficient access to be able to manoeuvre a fully assembled 'single piece' shower unit to the installation area, you may find it more convenient to install one of our 'flat pack' showers. Please view the range of Add-A-Bathroom flat pack showers at www.addabathroom.com.au

Follow this simple guide and your Add-A-Bathroom shower should give you many years of trouble free service. No leaks, no cracks, no maintenance. If you have any queries please call us on **1300 559 121**.

No specialised tools are required to install an Add-A-Bathroom moulded shower. Installation of a shower usually requires 2 competent people.

All plumbing work must be performed by appropriately licensed contractors.

Before commencing installation open all packaging and ensure all items are present, correct and in acceptable condition. No claims regarding damage or missing components can be entertained after installation commences.

Add-A-Bathroom moulded showers may have been supplied pre-fitted with shower screen, tap-ware or other items as ordered, please contact our team on 1300 559 121 should you have any queries regarding your particular installation.

Clean and maintain your new Add-A-Bathroom shower with domestic grade non-abrasive cleaning agents. Walls may be polished with automotive or marine polishes suitable for use on fibreglass. Ensure polishes, silicone washes, waxes and the like are kept away from any shower floor as such products may be slippery.

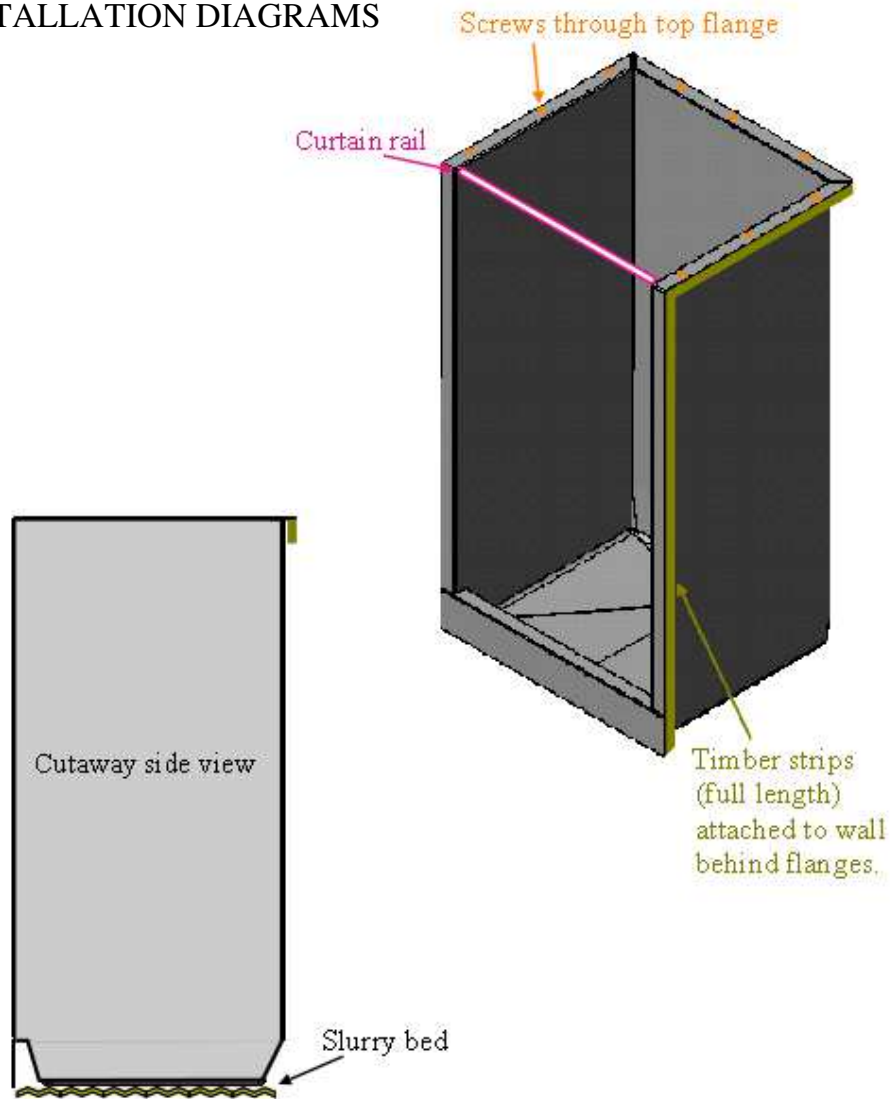
Please read the entire guide before any installation is commenced.
Call us on 1300 559 121 should you have any queries.

(Prior to installation it is important to perform the stipulated 2 'dry runs' to ensure correct placement.)

- Place some protective cardboard on the base of the shower.
- Fit curtain rail, (if so ordered this will have been pre-fitted at our facility) *(Note: Or temporarily tape a timber baton or similar between the walls to stabilise the shower during installation).*
- Manoeuvre the shower into its desired position, temporarily packing up as necessary ensuring that the front flanges are vertical and the top flanges are horizontal. *(Note: The bottom edge of the front of the shower 'step' should be 2-3mm above the existing or finished floor height.)*
- Mark all walls around the shower flanges with a fine pencil line. *(Note: After final installation these lines should be just visible, indicating the unit is correctly placed.)*
- Remove shower unit.
- On the internal walls of the shower, carefully measure and mark the required location of any holes that may be required (to suit taps, shower rose etc). *(Note: Drill any holes from inside of the shower unit, utilising a good quality fine tooth or diamond hole saw of the required size.)*
- To provide a secure fixing for any accessories, adhere (with standard builders' glue) blocks of ply (or similar) to the back of the walls of the shower where the fitting will be. *Where safety grab rails, seats etc are required to be fitted, contact Add-A-Bathroom as these may require additional measures, specific to the item.*
- Relocate shower unit back into its desired position (again packing as necessary) and confirm sewer pipe and hot and cold plumbing are all correctly placed and align with the previously drilled holes and the unit aligns with the pencil lines; relocate either the unit or the plumbing as necessary and recheck.
- Remove shower unit.
- Secure pine timber (or similar) strips (normally approx. 40x20mm) to the walls approx 8mm inside the pencil marked positions of the flanges. *(Note: The top flanges will be attached to these strips; it is important that the shower does not 'hang' on the strips but is simply secured to them.)*
- Install the shower's floor waste (sold separately) as per the instructions on the waste
- The shower unit is now ready for final installation.
- Lay a wet slurry of a quality thick bed flexible ceramic waterproof floor tile adhesive, so as to cover the entire area of the shower base. *(Note: It is necessary that the entire base is fully supported by the slurry; as the bottom of the shower is uneven it is prudent to provide a thick, over-depth slurry. Any excess should be pushed to the side during installation and not present a problem.)*
- Add a generous bead (6mm-7mm) of builders' glue to the top and front leading edges of the timber strips.
- Carefully manoeuvre the shower unit into its final installation location bedding it firmly into the slurry, noting the pencil lines and ensuring the sewer pipe and hot and cold plumbing are all correctly aligned. Connect floor waste to sewer as required. *(Note: At this point it is prudent to leave the installation for sufficient time so as to enable the slurry to fully cure, thereby avoiding any disturbance.)*
- Screw three, 25mm domed head stainless screws (not supplied) through each top flange, into the timber strips. *(Note: When drilling through the fibreglass flanges use a slightly oversized drill so that the screws do not bind on the fibreglass. Pre drill a pilot hole into the timber to prevent splitting.)*
- Install taps and shower rose as required. Final fit any accessories. *(Note: Ensure any drilled holes have sealant applied prior to installing the fitting so as to prevent any water penetration.)*
- Place a bead of an appropriate sealant around the outside of the shower's flanges (filling the gap to the wall) on all sides taking particular note to seal under and around the shower step.
- Install shower screen or door if required as per screen manufacturer's instruction (sold separately), sealing between frame and moulded shower unit.

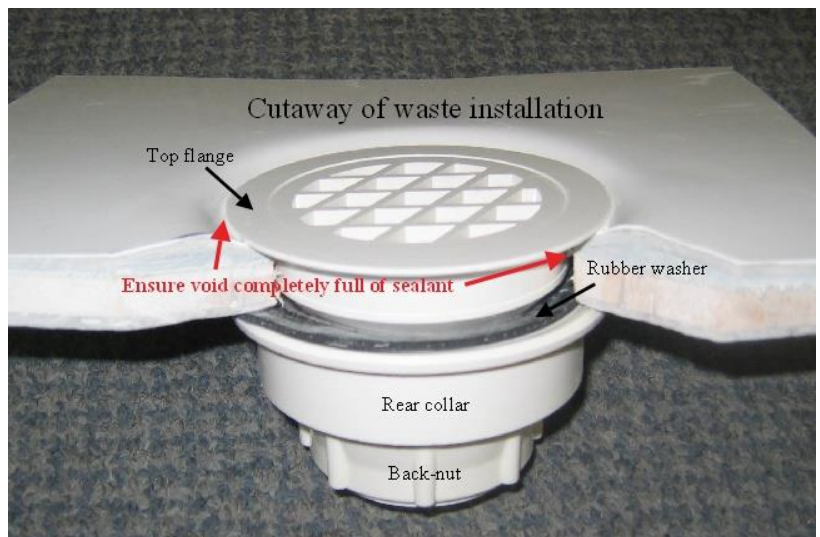
Ensure all slurries, beads, sealants and adhesives are fully set before use, (normally 24 hours).

TYPICAL INSTALLATION DIAGRAMS



TYPICAL FLOOR WASTE INSTALLATION INSTRUCTIONS

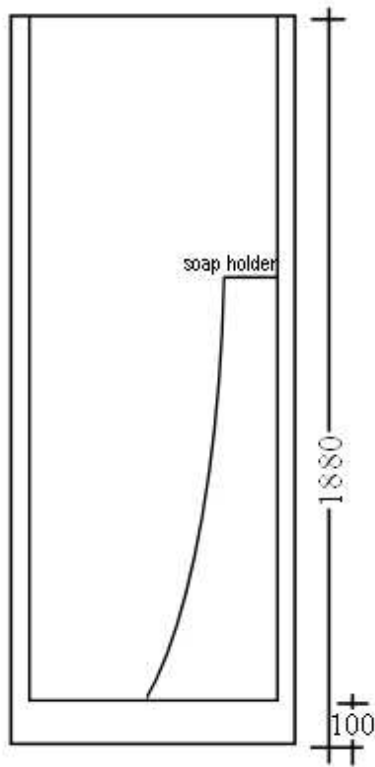
Apply a continuous bead of sealant to the underside of the top flange of the floor waste. Insert the waste into the recess and fit the rubber washer and rear collar; then fit the back-nut to the thread and firmly hand tighten. Do not over tighten. Sealant must completely fill the void between the shower base and the underside of the waste collar. Clean off any internal excess sealant leaving a clean, unbroken surface. Let cure for the recommended time.



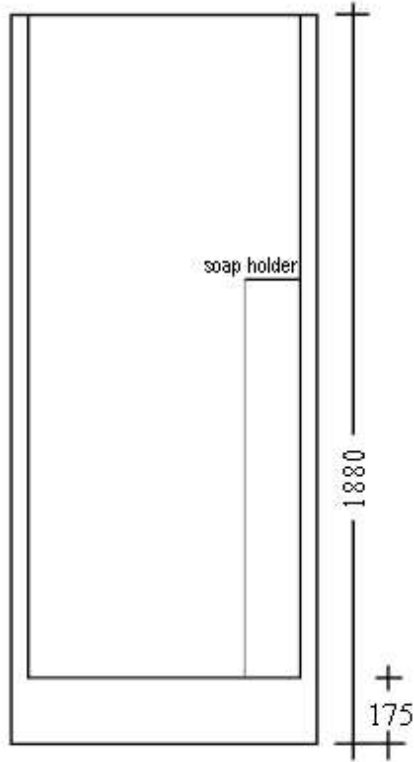
Should have any queries about your product, its installation or maintenance, please call Add-A-Bathroom on 1300 559 121 or email info@addabathroom.com.au.

Thank you for purchasing an ADD-A-BATHROOM product.

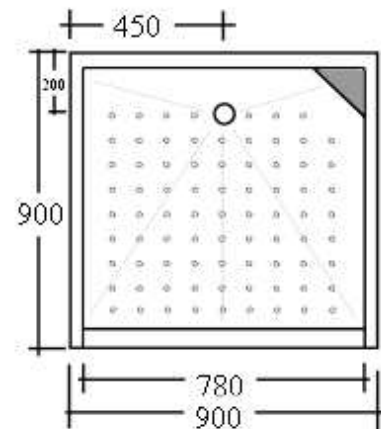
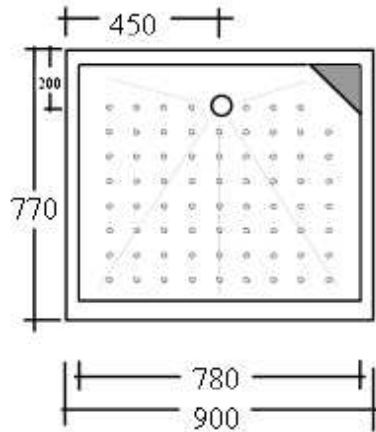
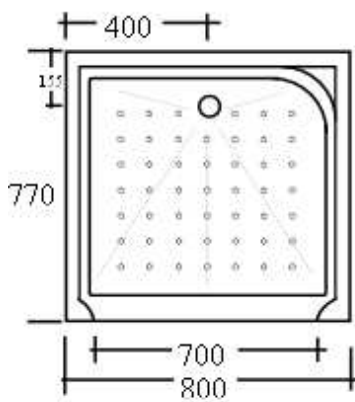
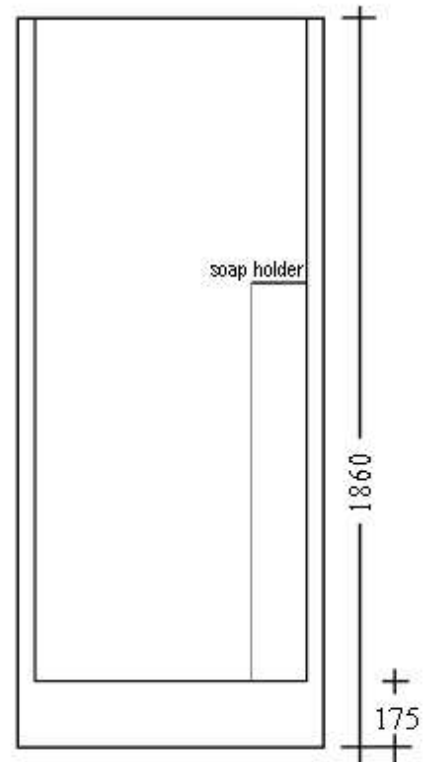
800LS



770MS



900MS

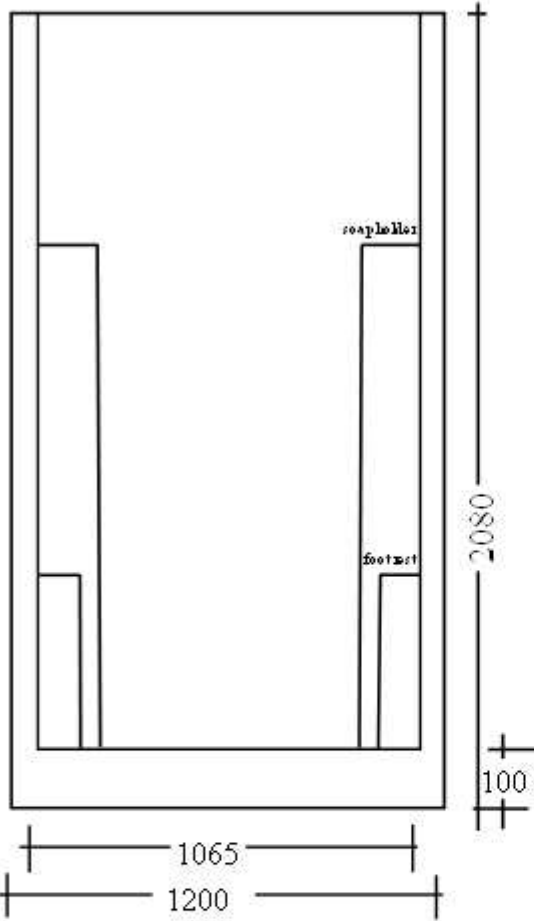


All units in white only.

Where possible set under-floor plumbing when the unit is on site.

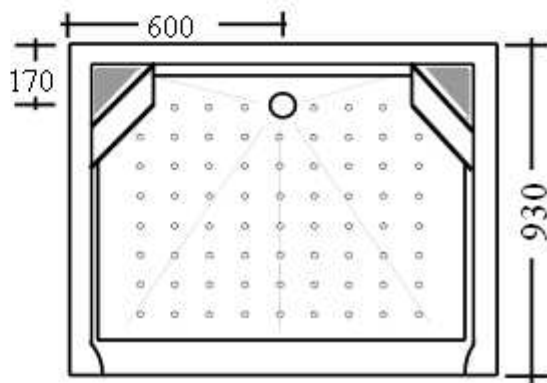
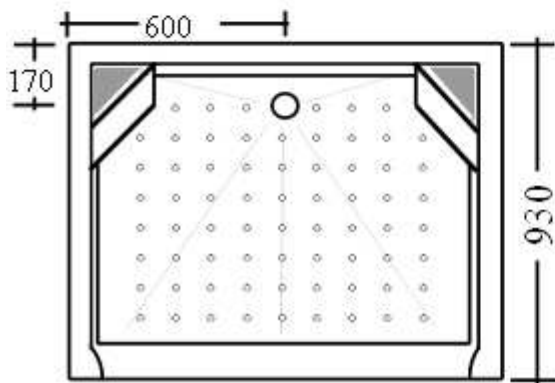
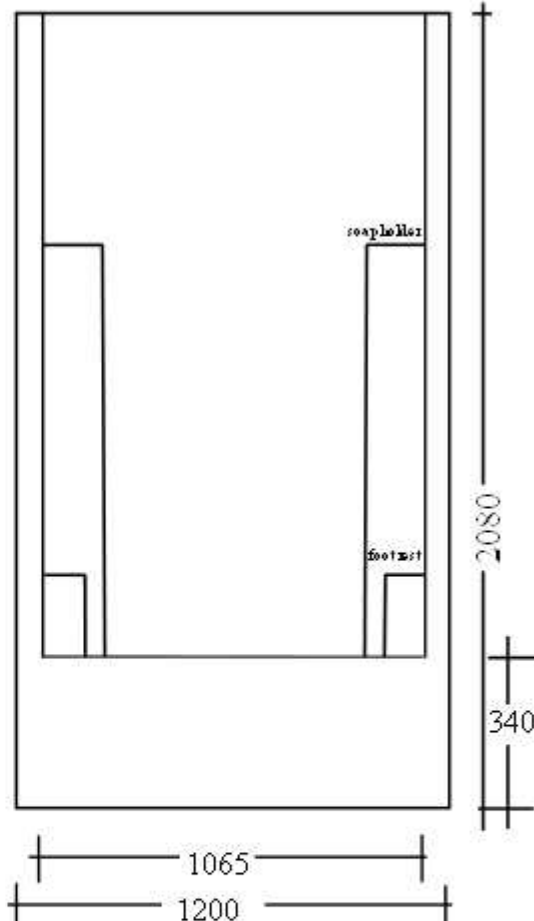
Use drawings as a guide only. Dimensions may vary slightly.

1200LS



1200HS

SHOWER/BATH AVAILABLE

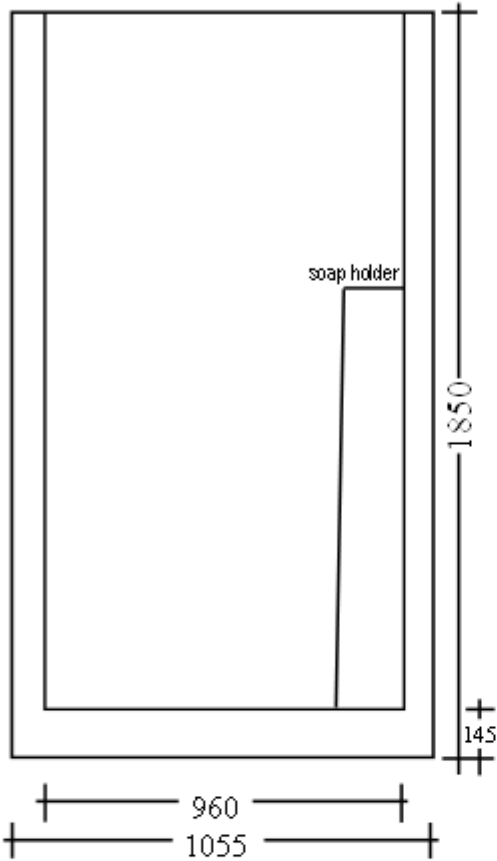


All units in white only.

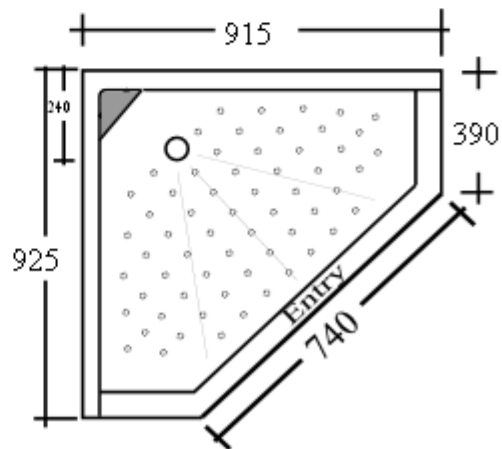
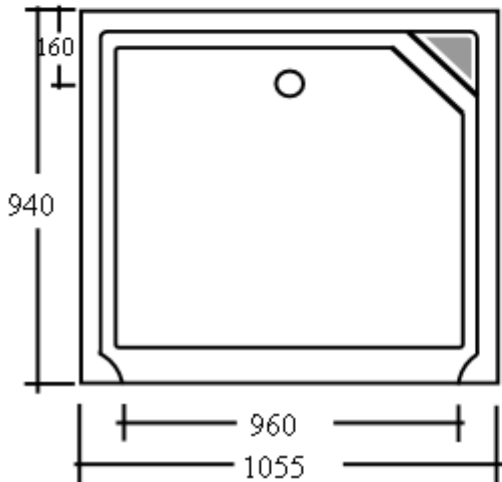
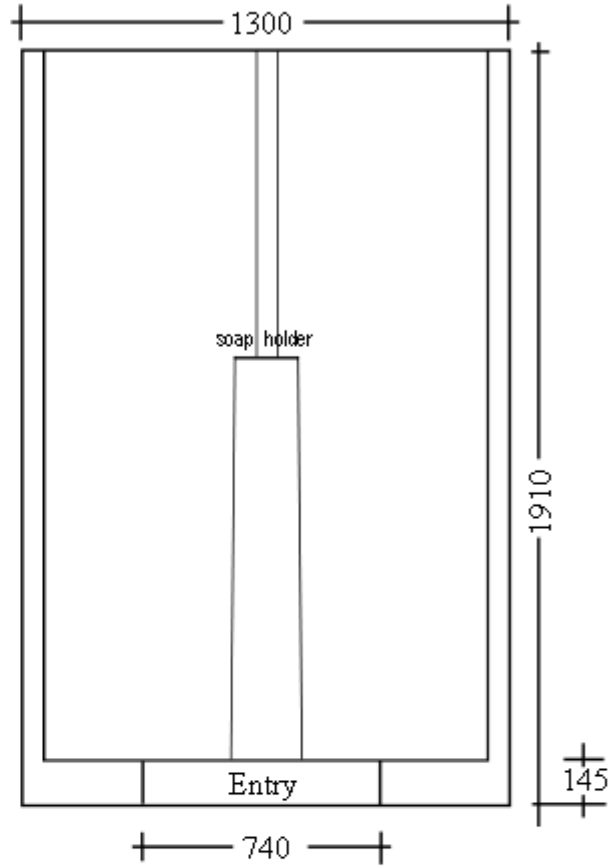
Where possible set under-floor plumbing when the unit is on site.

Use drawings as a guide only. Dimensions may vary slightly.

1055LS



915CNR



All units in white only.

Where possible set under-floor plumbing when the unit is on site.

Use drawings as a guide only. Dimensions may vary slightly.

Cleaning and maintenance

Cleaning of your Add-A-Bathroom shower is a breeze.

Regularly wash the surface of your Add-A-bathroom shower with a mild detergent in warm water using a clean soft sponge, as you would for washing a car. For general cleaning we suggest using standard 'Bathroom Spray' type products, or simply a good wash with warm soapy water.

Abrasive cleaners or heavy bleach products should not be used at any time.

Do not use automatic dishwashing detergent, abrasives, bleaches, acid based chemicals or ammonia. Avoid products containing waxes or silicones on floor areas as such products may be slippery.

Should you wish to polish your shower walls to an 'as new' shine, use only waxes and polishes recommended for fibreglass composite and follow instructions.

Minor scuffs may often be removed with toothpaste on an old toothbrush, or if a bit deeper then the surface can be carefully wet buffed with a fine wet & dry paper (2000 grit), and then polished with a standard fibreglass polishing compound. Automotive polishes (ensure their compatibility with fibreglass) are readily available and suitable for general use on your Add-A-Bathroom shower.

Specialist fibreglass maintenance products are available at marine chandleries, however it would be unusual that such specialist products would be required in a normal domestic situation.

Fibreglass is generally repairable and should you be unfortunate to suffer major damage to the product, this can generally be repaired in-situ by an experienced fibreglass workshop.

Please contact Add-A-Bathroom for advice, or contact local boat repair workshops.

Note that this guide is provided for general information purposes only and should not be relied upon without professional advice about your personal situation and any specific requirements. As this guide does not take personal circumstances into account and as any use is beyond the control of Add-A-Bathroom, no responsibility is accepted nor warranty implied by Add-A-Bathroom (or its affiliated entities) by the publishing or use of this guide.

Warranty

*Add-A-Bathroom Pty Ltd (the Company).

In the event of any failure within a time period of five years from date of initial sale or shipment (whichever occurs sooner) of an Add-A-Bathroom* manufactured product (the Product) and such failure is caused by the direct result of a defect in the material or manufacture of the Product, the Company will at its sole option replace or repair, supply an equivalent product, or pay for doing one of these.

This warranty does not apply where the Product has been used in any manner not in accordance with the Company's instructions, nor the reuse of the Product after its initial installation. Installation and maintenance must be in accordance with the relevant Add-A-Bathroom technical and installation guides; current copies are available by phoning 1300 559 121. Add-A-Bathroom recommends that only those products, components and systems recommended by it be used. The Company will need to be satisfied that any defect in its Product is directly attributable to material or manufacture defect (and not another cause) before this warranty applies.

Where Add-A-Bathroom supplies product or equipment manufactured or imported by a third party (OEM) then the individual OEM supplier's warranty will apply.

Other than as expressly set out in this warranty and guarantees that cannot be excluded under The Australian Consumer Law (Schedule 2 of the Competition and Consumer Act 2010) (and any other law), the Company excludes all other warranties and guarantees with regard to the Product. To the extent that it is able to do so, the Company excludes all liability for loss and damage (including consequential loss) in connection with the Product. The benefits of this warranty are in addition to other rights or remedies of the consumer under the law in relation to the goods or services to which the warranty relates.

Notification of a warranty claim must be made to the Company prior to any return, repair or modification of the Product. Unapproved repairs or modifications will void all warranties.

Where any defect or failure should ordinarily have been noticeable prior to the assembly or installation of the Product, then any warranty, repair or replacement that may apply will be based upon an unassembled and/or uninstalled Product. Any damage resulting from (however caused) impact or abrasion after assembly or installation commences is specifically excluded from all warranties. Visible damage to gelcoat surfaces must be reported prior to the commencement of assembly, or in the case of an assembled product, prior to commencement of installation and in any event within seven days of despatch of the Product from the Add-A-Bathroom facility.

To make a claim under this warranty, you must contact Add-A-Bathroom on 1300 559 121. All expense of claiming under the warranty will be borne by the person making the claim.

The Company may require the provision of documentation supporting the claim.

The sale, supply and warranty of the Company's Products shall be governed by the laws of South Australia and is only applicable to products purchased for use within the Commonwealth of Australia. Please contact the relevant import agent for local warranty details.