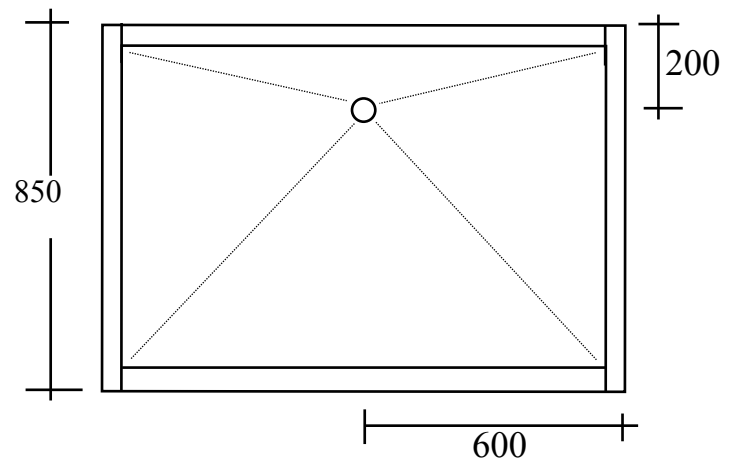
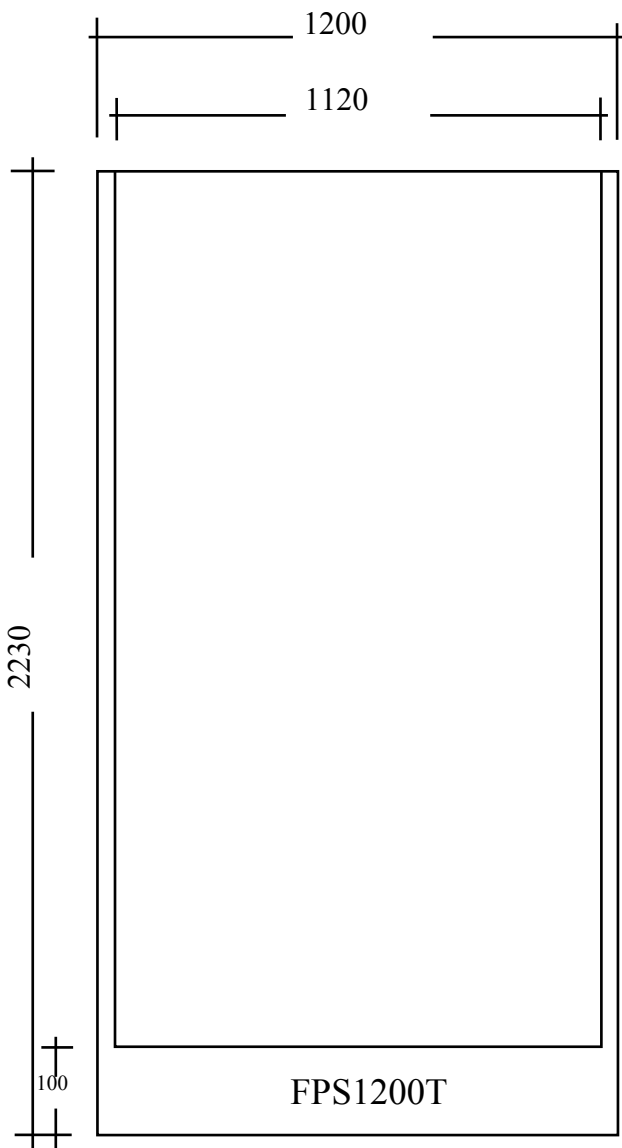


ADD-A-BATHROOM

1/18 Francis Road. Wingfield. S.A. 5013
Ph:1300 559 121 Fax: 08 8345 0481
www.addabathroom.com.au
email: info@addabathroom.com.au



Sizes are nominal and may vary slightly from batch to batch.

Fibre
Composites
International Pty Ltd