

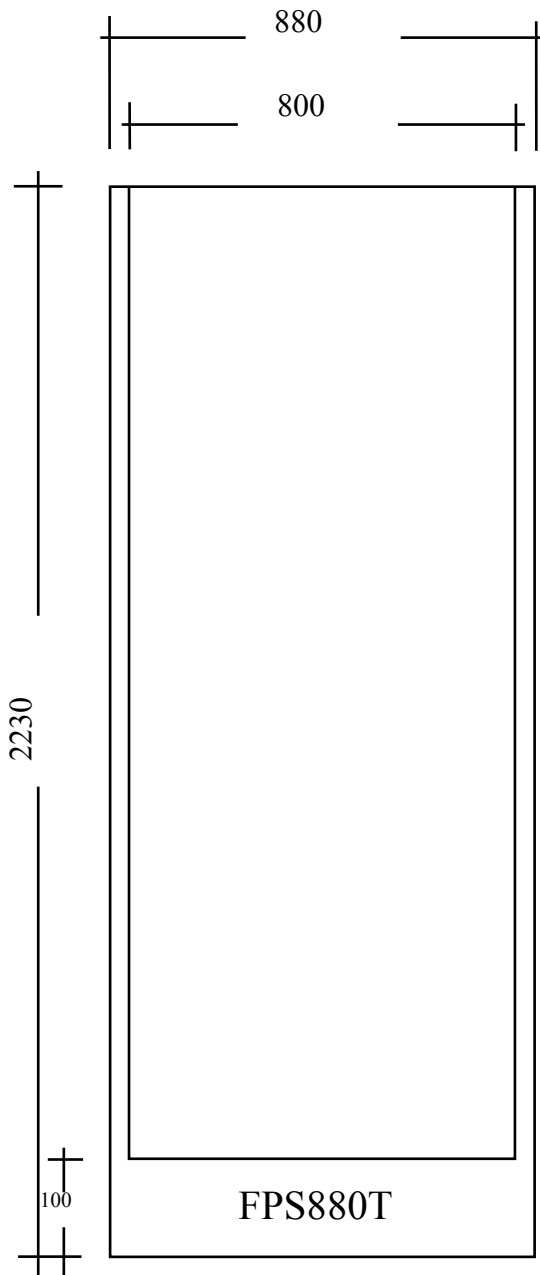
# ADD-A-BATHROOM

1/18 Francis Road. Wingfield. S.A. 5013

Ph:1300 559 121 Fax: 08 8345 0481

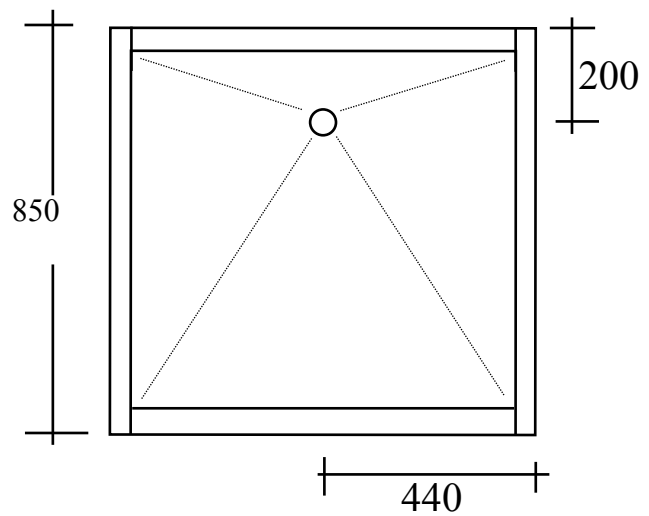
www.addabathroom.com.au

email: info@addabathroom.com.au



## 880x850

### Flat Packed Shower



Sizes are nominal and may vary slightly from batch to batch.

*Fibre*  
**Composites**  
International Pty Ltd